

PROPOSED ACTIVITY:  
INSTALLATION OF SHEET PILE  
DOCK FOR DEEP DRAFT VESSELS

**VICINITY MAP AND  
PROJECT LOCATION**

**KNIK-OSI  
DUTCH HARBOR  
FACILITY**

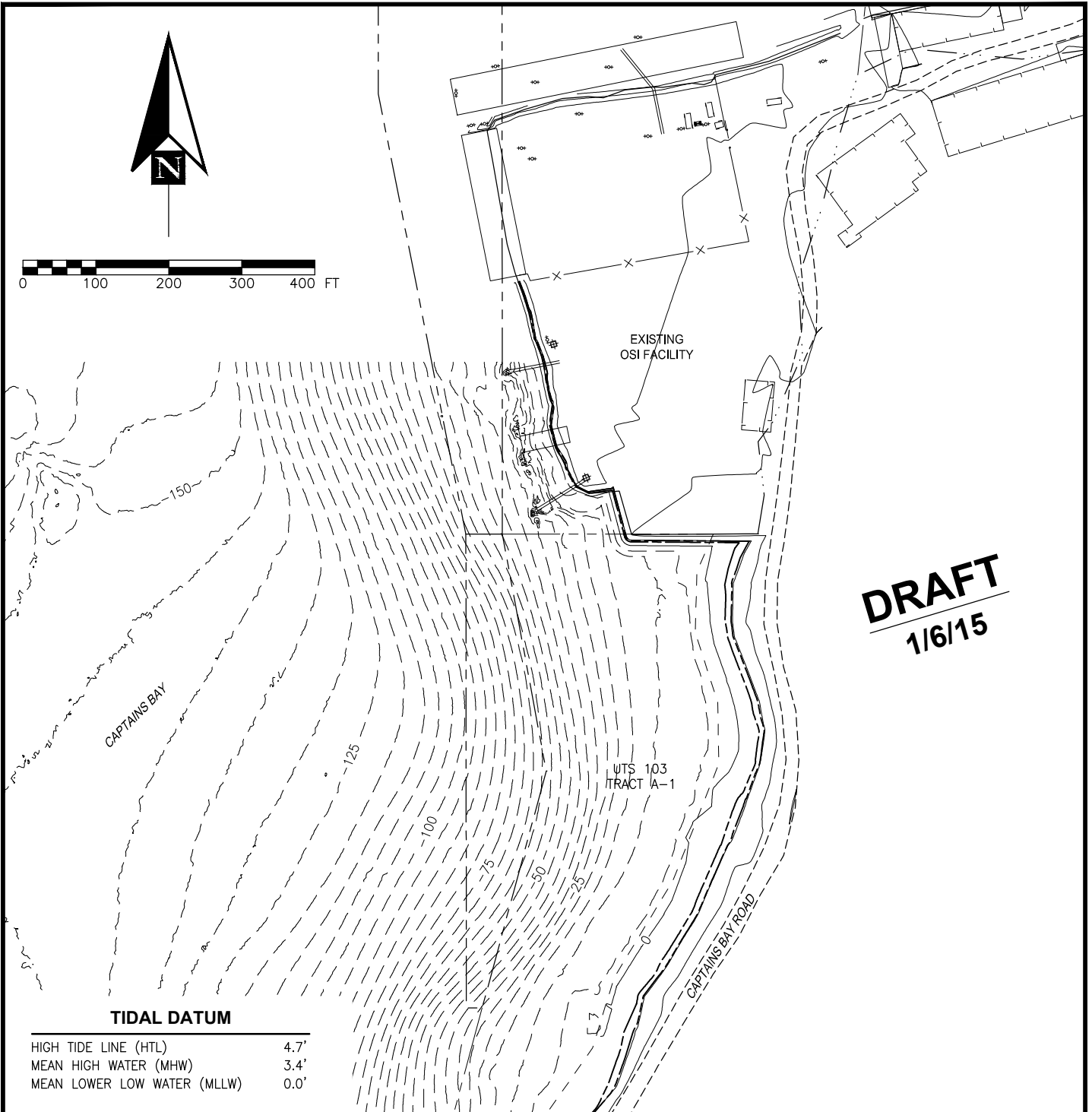
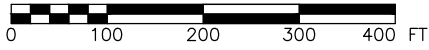
DATUM: 0.0' MLLW

PROJECT LOCATION:  
SEC. 20 & 21, T73S, R118W, S.M.

OFFSHORE SYSTEMS, INC.  
P.O. BOX 920427  
DUTCH HARBOR, AK 99692-0472

AT: CAPTAINS BAY  
DUTCH HARBOR, AK

1/6/15 SHEET **1** of **4**



**DRAFT**  
1/6/15

**TIDAL DATUM**

HIGH TIDE LINE (HTL)	4.7'
MEAN HIGH WATER (MHW)	3.4'
MEAN LOWER LOW WATER (MLLW)	0.0'

PROPOSED ACTIVITY:  
INSTALLATION OF SHEET PILE  
DOCK FOR DEEP DRAFT VESSELS

**EXISTING SITE PLAN**

**KNIK-OSI  
DUTCH HARBOR  
FACILITY**

DATUM: 0.0' MLLW

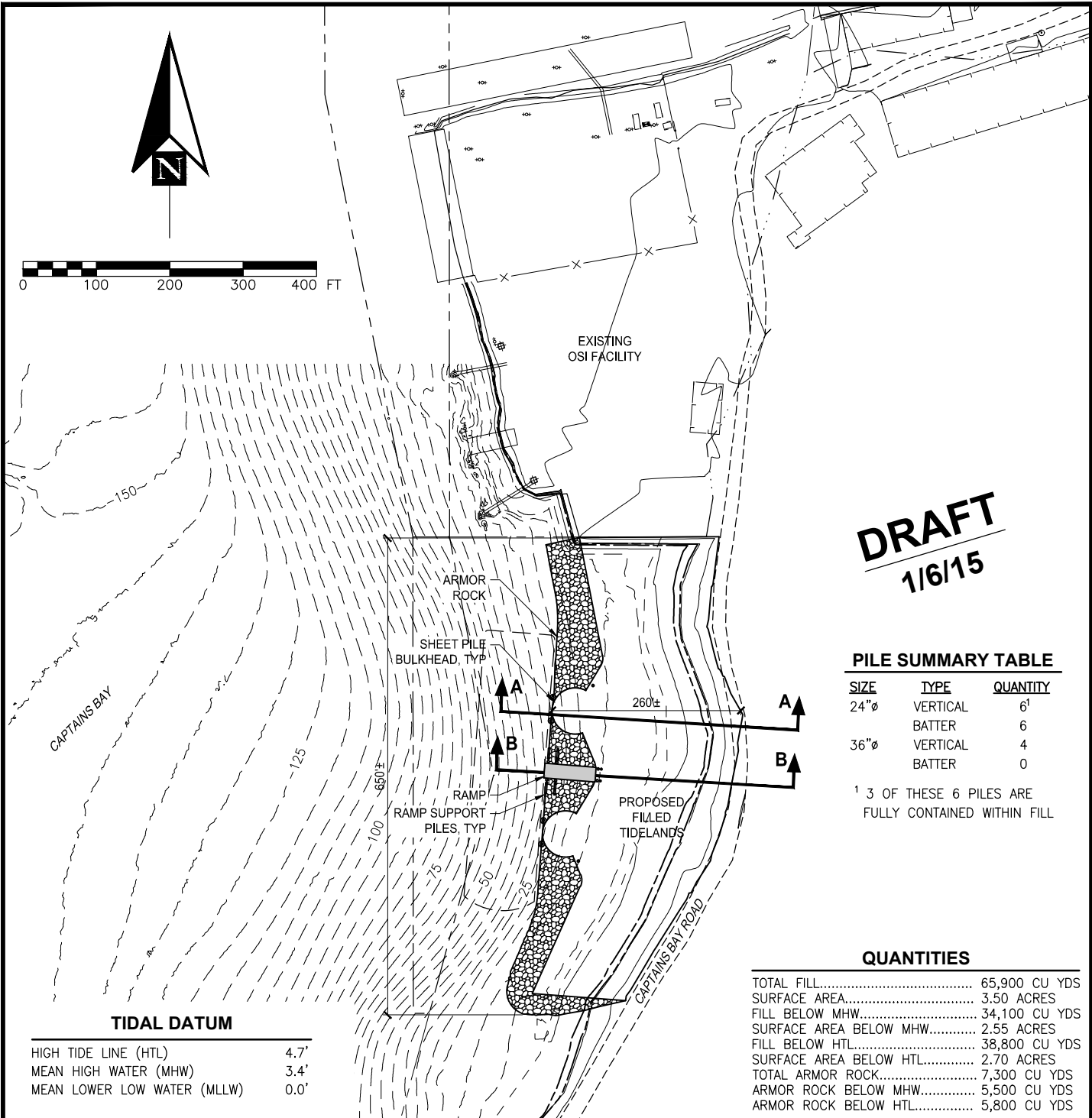
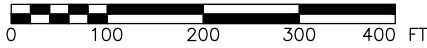
PROJECT LOCATION:  
SEC. 20 & 21, T73S, R118W, S.M.

OFFSHORE SYSTEMS, INC.  
P.O. BOX 920427  
DUTCH HARBOR, AK 99692-0472

AT: CAPTAINS BAY  
DUTCH HARBOR, AK

1/6/15

SHEET **2** of **4**



**DRAFT**  
1/6/15

**PILE SUMMARY TABLE**

SIZE	TYPE	QUANTITY
24"φ	VERTICAL	6 <sup>1</sup>
	BATTER	6
36"φ	VERTICAL	4
	BATTER	0

<sup>1</sup> 3 OF THESE 6 PILES ARE FULLY CONTAINED WITHIN FILL

**QUANTITIES**

TOTAL FILL.....	65,900 CU YDS
SURFACE AREA.....	3.50 ACRES
FILL BELOW MHW.....	34,100 CU YDS
SURFACE AREA BELOW MHW.....	2.55 ACRES
FILL BELOW HTL.....	38,800 CU YDS
SURFACE AREA BELOW HTL.....	2.70 ACRES
TOTAL ARMOR ROCK.....	7,300 CU YDS
ARMOR ROCK BELOW MHW.....	5,500 CU YDS
ARMOR ROCK BELOW HTL.....	5,800 CU YDS

**TIDAL DATUM**

HIGH TIDE LINE (HTL)	4.7'
MEAN HIGH WATER (MHW)	3.4'
MEAN LOWER LOW WATER (MLLW)	0.0'

PROPOSED ACTIVITY:  
INSTALLATION OF SHEET PILE  
DOCK FOR DEEP DRAFT VESSELS

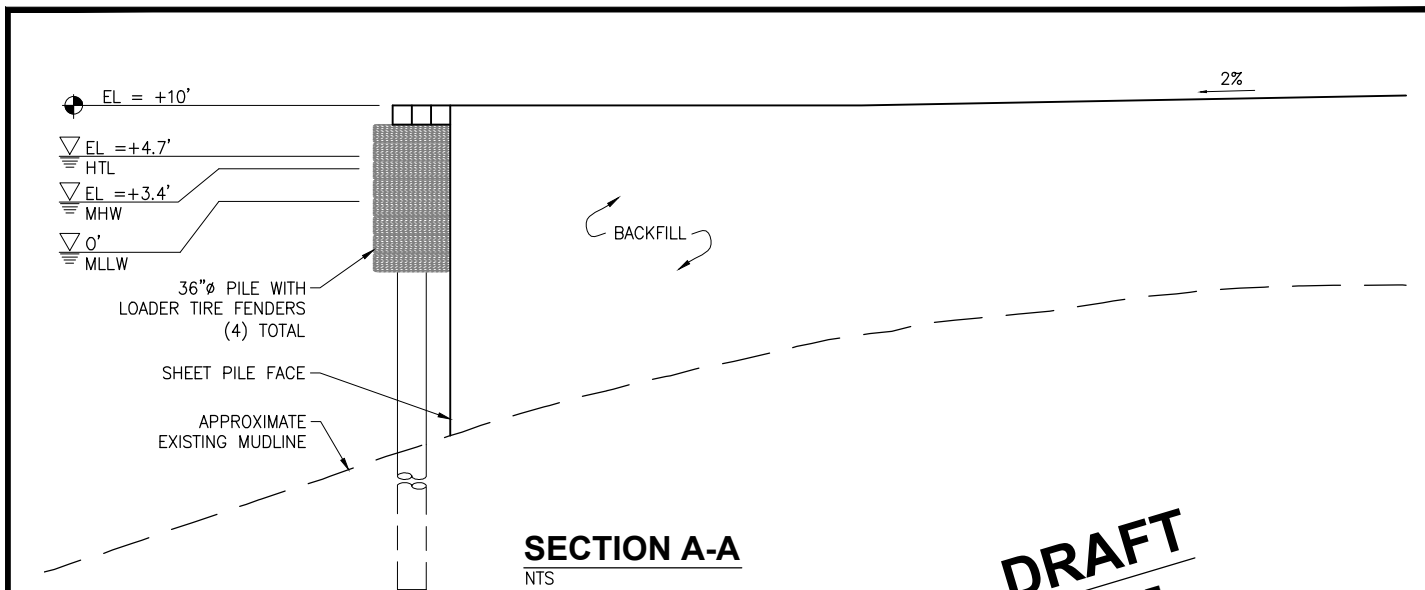
**PROPOSED SITE  
PLAN**

OFFSHORE SYSTEMS, INC.  
P.O. BOX 920427  
DUTCH HARBOR, AK 99692-0472

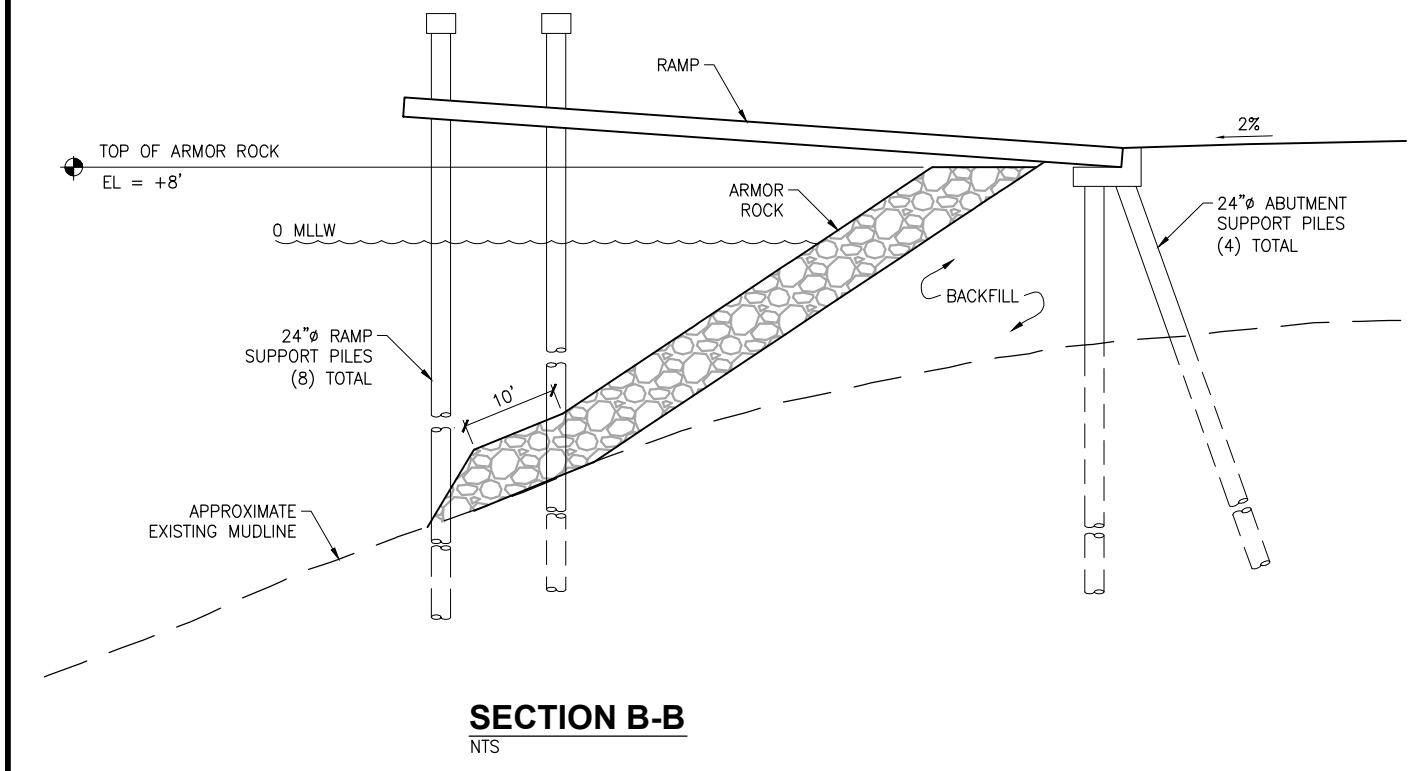
**KNIK-OSI  
DUTCH HARBOR  
FACILITY**

AT: CAPTAINS BAY  
DUTCH HARBOR, AK

1/6/15 SHEET **3** of **4**



**DRAFT**  
1/6/15



PROPOSED ACTIVITY:  
INSTALLATION OF SHEET PILE  
DOCK FOR DEEP DRAFT VESSELS

DATUM: 0.0' MLLW

PROJECT LOCATION:  
SEC. 20 & 21, T73S, R118W, S.M.

**SITE SECTIONS**

OFFSHORE SYSTEMS, INC.  
P.O. BOX 920427  
DUTCH HARBOR, AK 99692-0472

**KNIK-OSI  
DUTCH HARBOR  
FACILITY**

AT: CAPTAINS BAY  
DUTCH HARBOR, AK

1/6/15 SHEET **4** of **4**